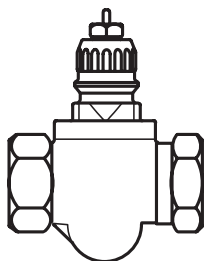


User Guide

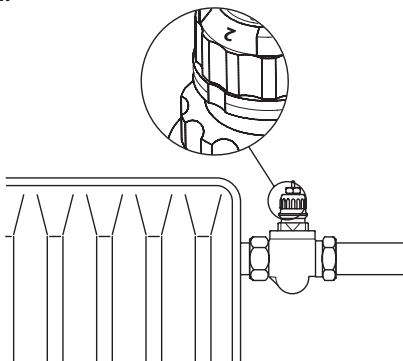
Danfoss Δp Tool for *Dynamic Valve*™ Type RA-DV

1.

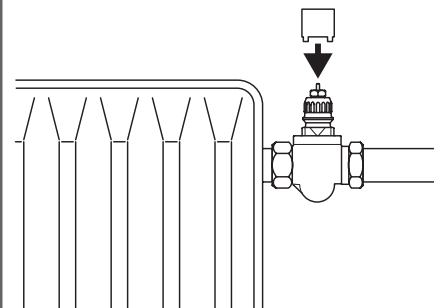


Dynamic Valves™ Type RA-DV

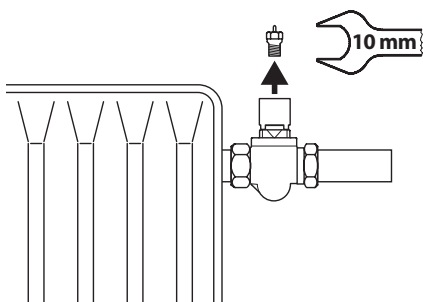
2.



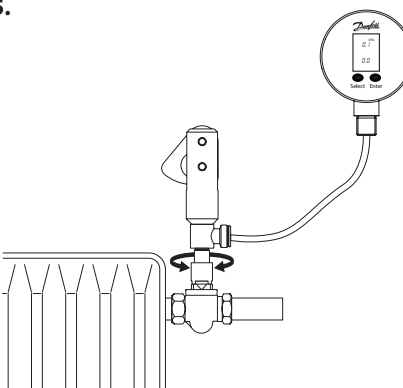
3.



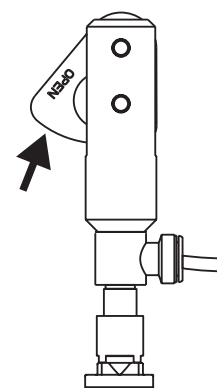
4.



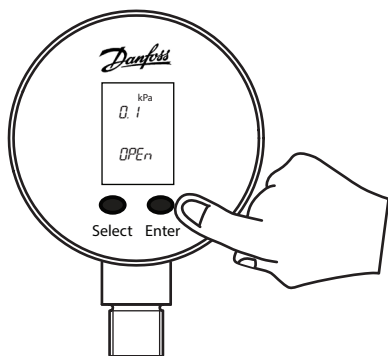
5.



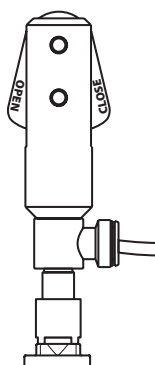
6.



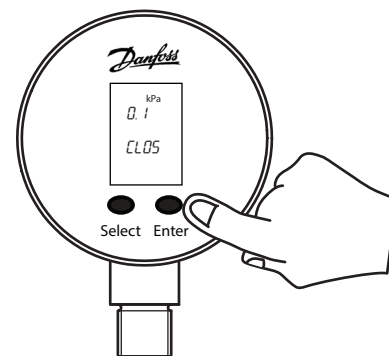
7.



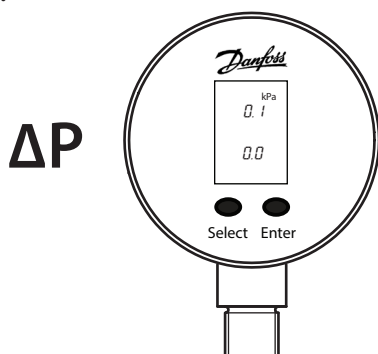
8.



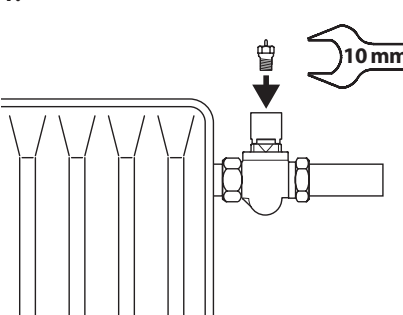
9.



10.

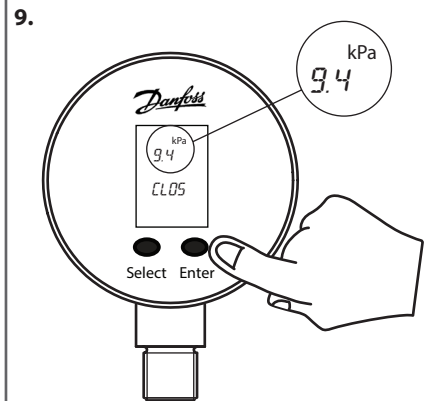
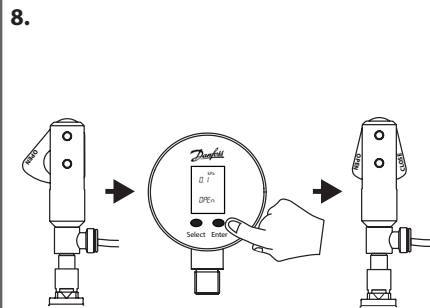
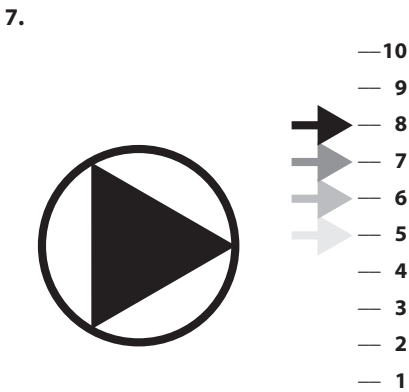
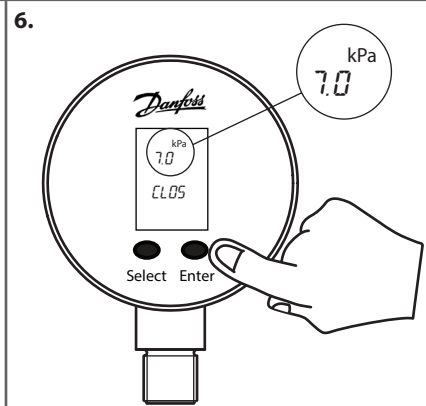
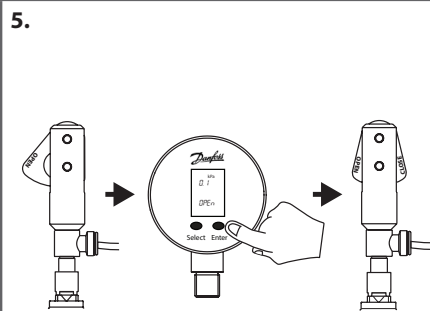
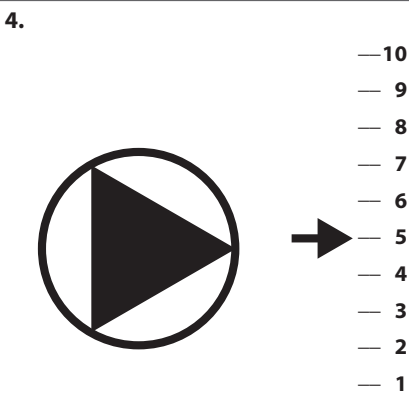
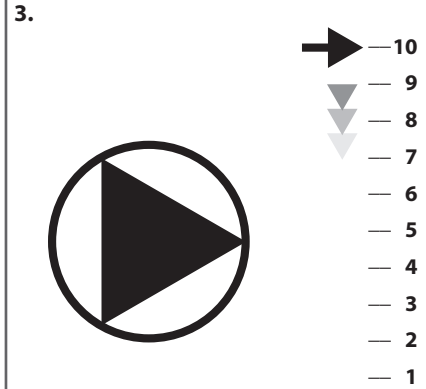
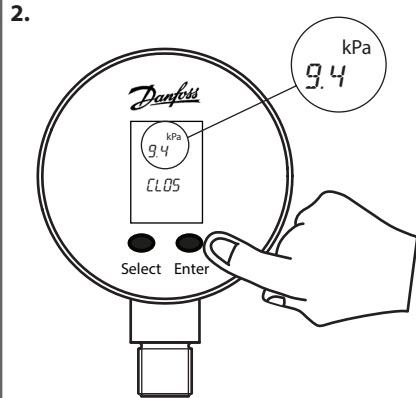
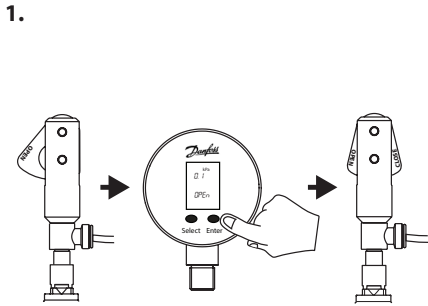


11.



Preset	Q max.	w/ RA2000	w/ RAW, RAE or RAS-C
1	10 l/h	9 l/h	8 l/h
2	15 l/h	14 l/h	12 l/h
3	20 l/h	18 l/h	16 l/h
4	35 l/h	30 l/h	25 l/h
5	50 l/h	45 l/h	40 l/h
6	80 l/h	70 l/h	65 l/h
7	100 l/h	90 l/h	85 l/h
N	135 l/h	130 l/h	110 l/h

Pump Optimization with the Danfoss Δ p Tool (example)



Danfoss Installer App
 Android ► Google Play
 iPhone ► App Store



Danfoss Δ p Tool
 YouTube video



Danfoss can accept no responsibility for possible errors in catalogues, brochures and other printed material. Danfoss reserves the right to alter its products without notice. This also applies to products already on order provided that such alterations can be made without subsequent changes being necessary in specifications already agreed. All trademarks in this material are property of the respective companies. Danfoss and the Danfoss logotype are trademarks of Danfoss A/S. All rights reserved.