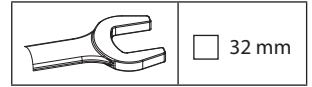


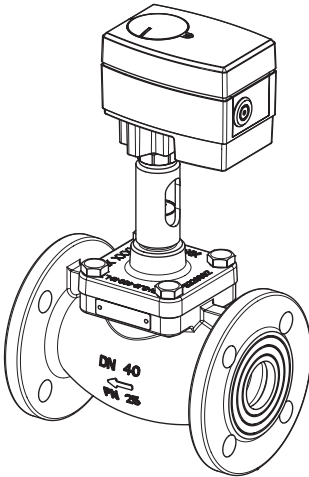
Installation Guide

High temperature adapter 065Z7547

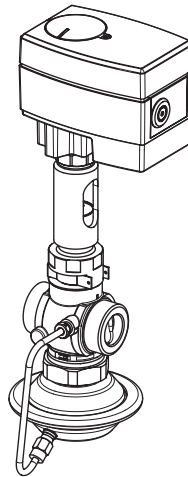


T = 150°C

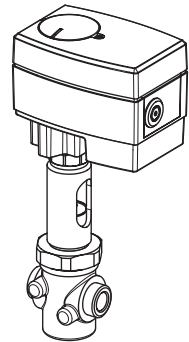
Adapter **065Z7547**



Adapter
+
VB2
+
AMV(E) 10, 13



Adapter
+
AVQM
+
AMV(E) 10, 13



Adapter
+
VM2
+
AMV(E) 10, 13

Installation Guide High temperature adapter 065Z7547

