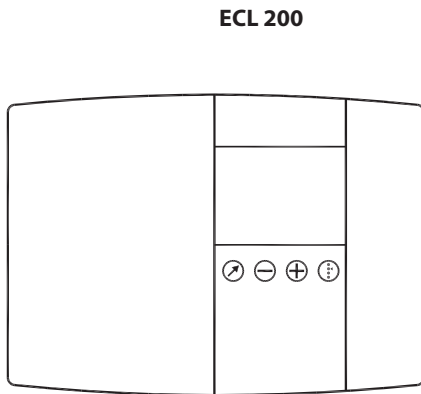
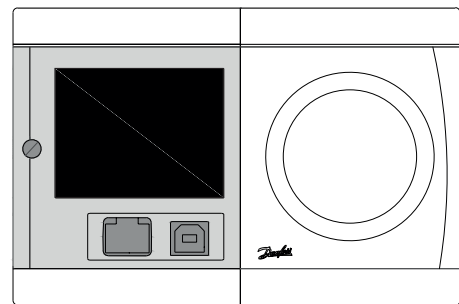


Installation Guide

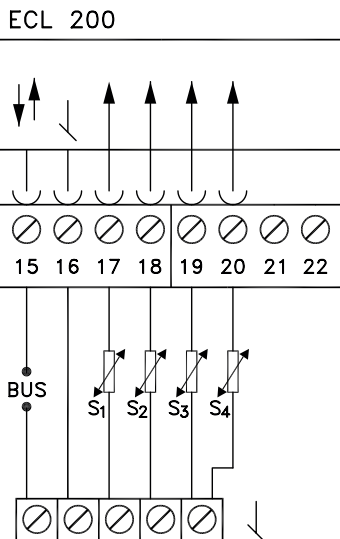
Replacement of ECL 200 / 300 / 301 with ECL 296 (code no. 087H3000)



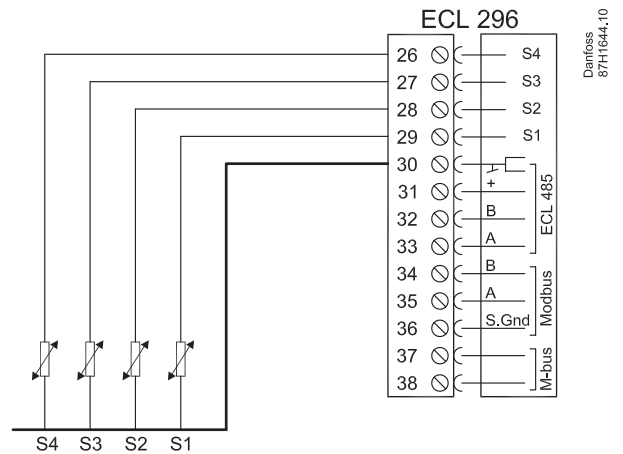
Danfoss
87H1603.10



Danfoss
87H1604.10



DANFOSS
87H1601.10



Danfoss
87H1604.10

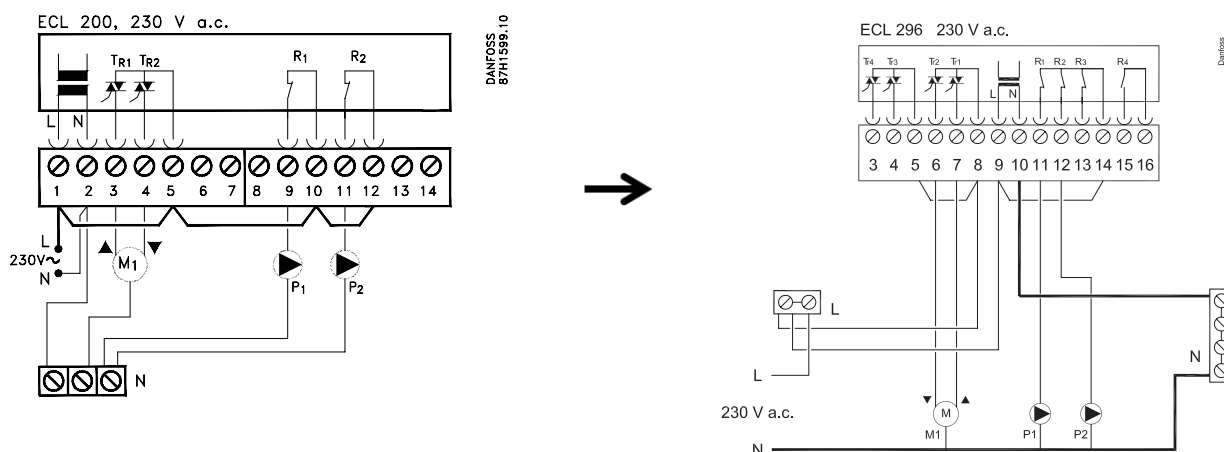
ECL 200	
S1	16-17
S2	16-18
S3	16-19
S4	16-20



ECL 296	
30-29	S1
30-28	S2
30-27	S3
30-26	S4

? <http://heating.danfoss.com>
 Documentation
 **A2xx
Installation
guide**

Installation Guide, Replacement of ECL 200 / 300 / 301 with ECL 296



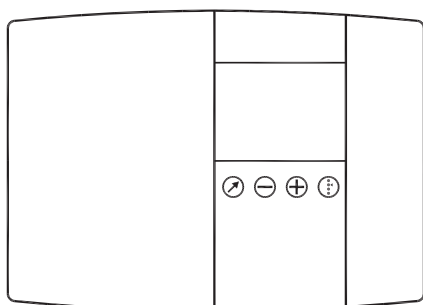
ECL 200	
L	1
N	2
M1 ▲	2 (N) - 3
M1 ▼	2 (N) - 4
P1	9-10
P2	11-12



ECL 296	
9	L
10	N
10 (N) - 7	M1 ▲
10 (N) - 6	M1 ▼
14-11	P1
14-12	P2

Installation Guide, Replacement of ECL 200 / 300 / 301 with ECL 296

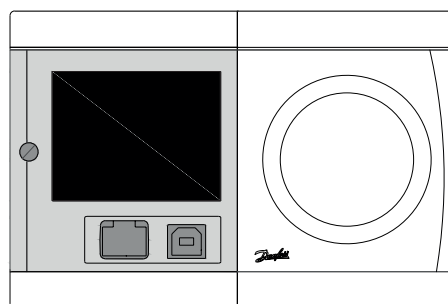
ECL 300 / 301



Danfoss
87H1603.10

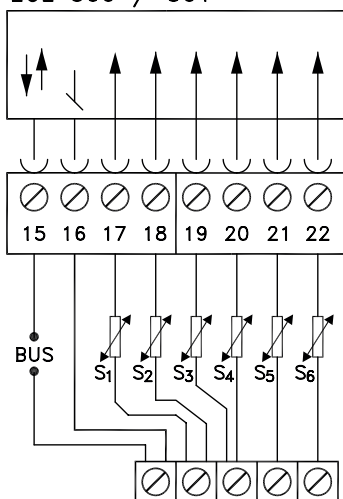


ECL 296



Danfoss
87H1604.10

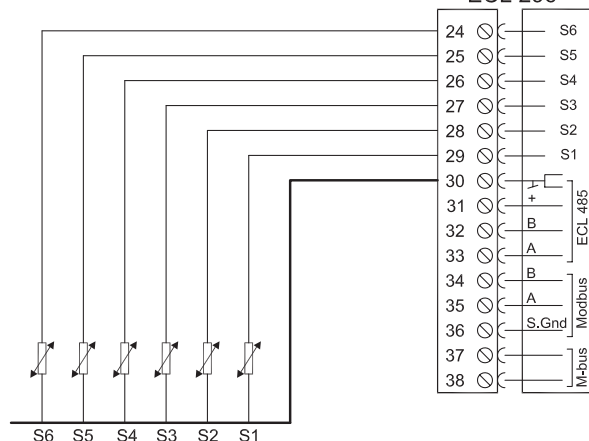
ECL 300 / 301



DANFOSS
87H1600.10



ECL 296



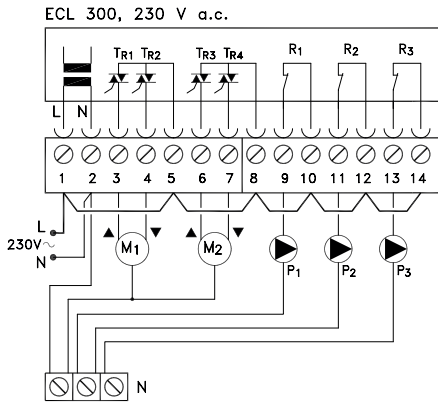
Danfoss
87H1646.10

ECL 300 / 301	
S1	16-17
S2	16-18
S3	16-19
S4	16-20
S5	16-21
S6	16-22

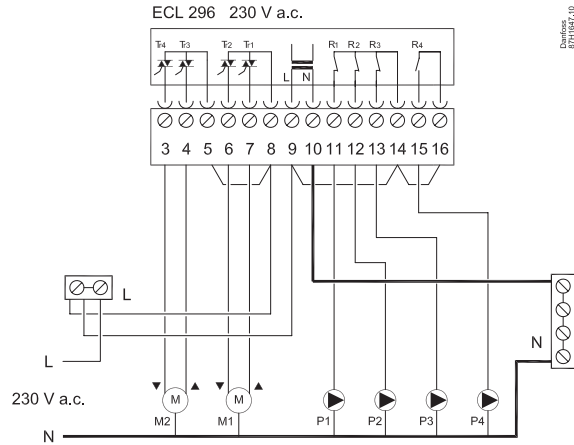


ECL 296	
30-29	S1
30-28	S2
30-27	S3
30-26	S4
30-25	S5
30-24	S6

Installation Guide, Replacement of ECL 200 / 300 / 301 with ECL 296



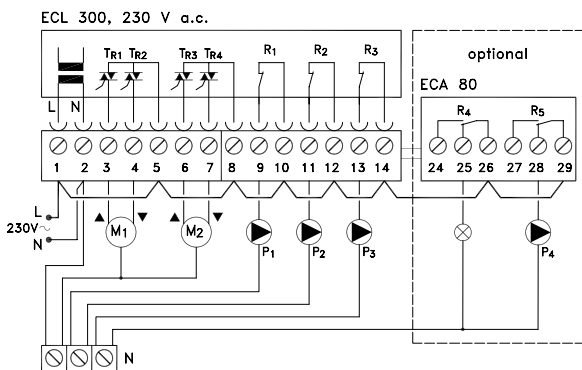
DANFOSS
87H1597.10



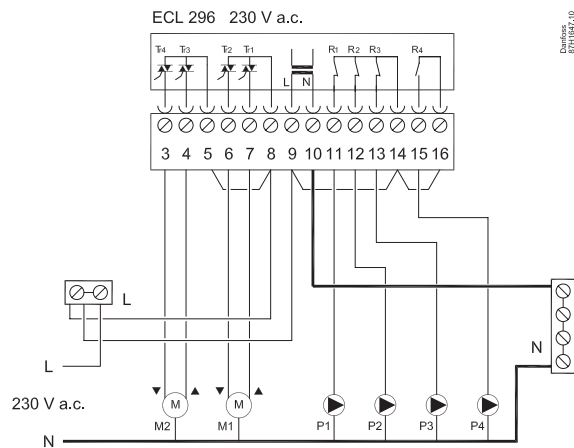
DANFOSS
87H1597.10

ECL 300 / 301	
L	1
N	2
M1 ▲	2 (N) - 3
M1 ▼	2 (N) - 4
M2 ▲	2 (N) - 6
M2 ▼	2 (N) - 7
P1	9-10
P2	11-12
P3	13-14
(P4)	(24-25-26)

ECL 296	
9	L
10	N
10 (N) - 7	M1 ▲
10 (N) - 6	M1 ▼
10 (N) - 4	M2 ▲
10 (N) - 3	M2 ▼
14-11	P1
14-12	P2
14-13	P3
16-15	P4



DANFOSS
87H1598.10



DANFOSS
87H1597.10

? ECL Comfort 296: www.heating.danfoss.com



Danfoss A/S
Heating Segment • heating.danfoss.com • +45 7488 2222 • E-Mail: heating@danfoss.com

Danfoss can accept no responsibility for possible errors in catalogues, brochures and other printed material. Danfoss reserves the right to alter its products without notice. This also applies to products already on order provided that such alterations can be made without consequential changes being necessary in specifications already agreed. All trademarks in this material are property of the respective companies. Danfoss and all Danfoss logotypes are trademarks of Danfoss A/S. All rights reserved.