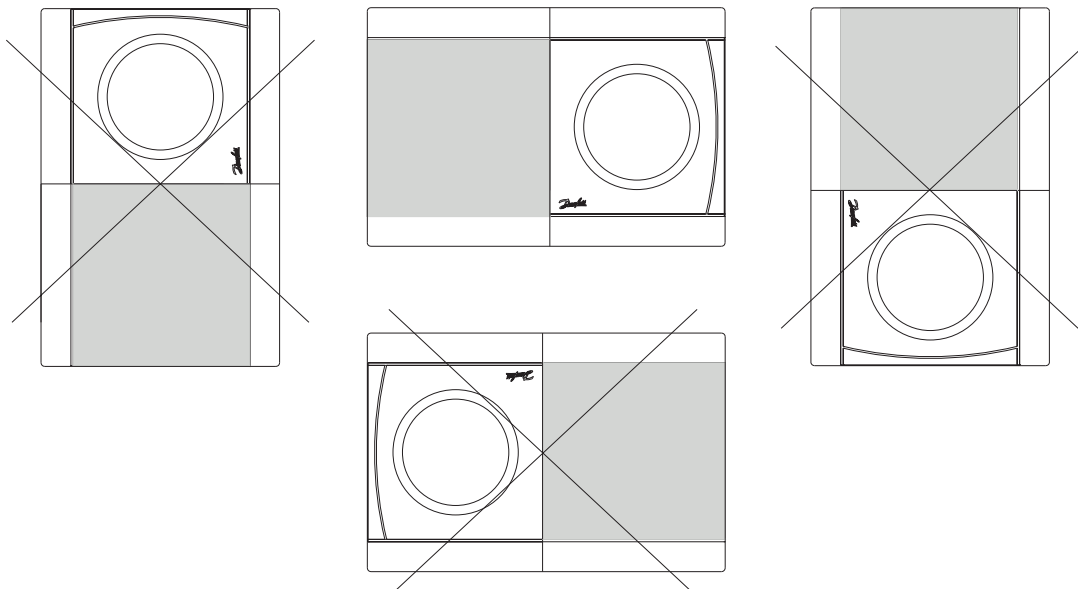
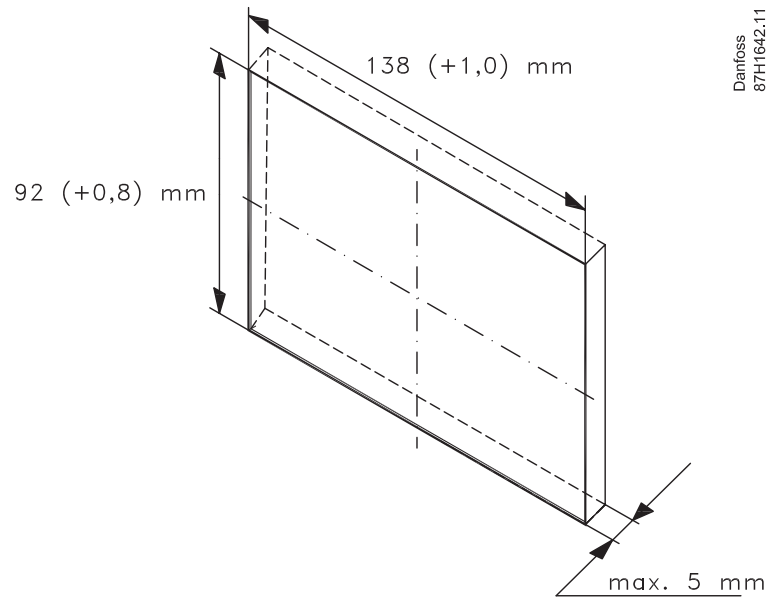


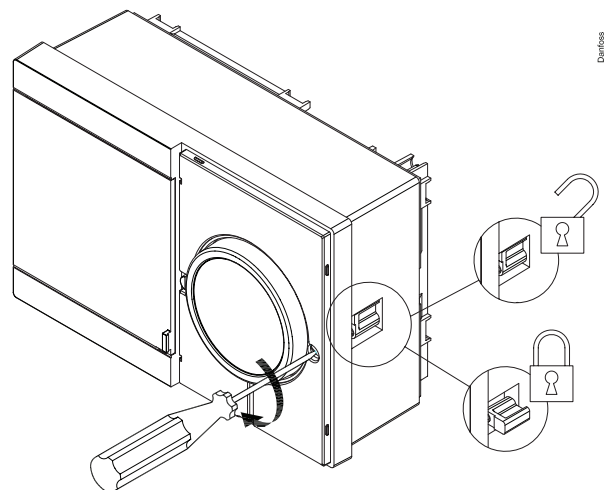
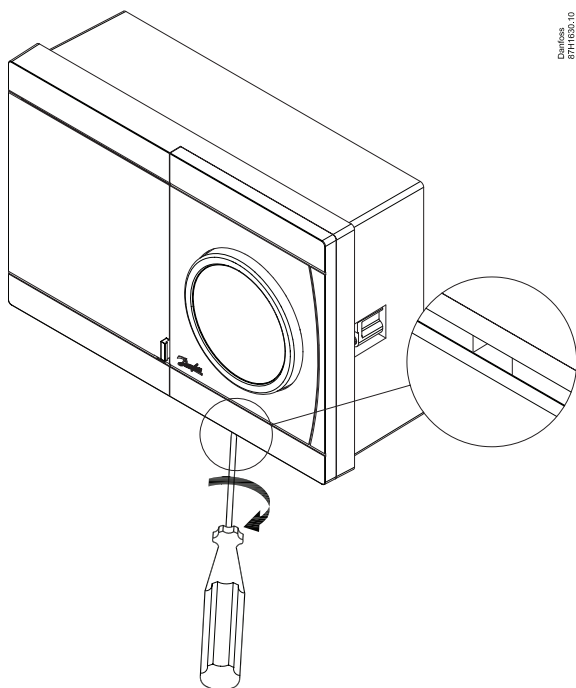
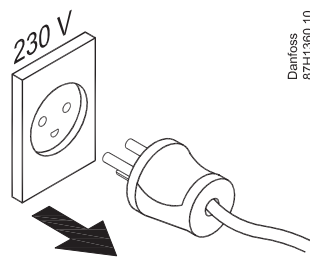
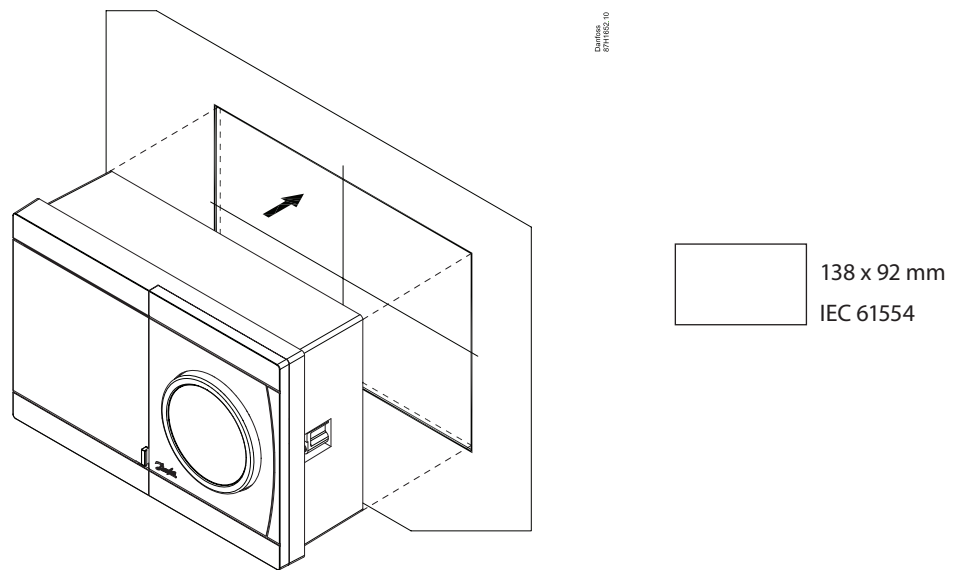
Installation Guide

# ECL Comfort 296 Panel Mounting Kit (code no. 087H3242)

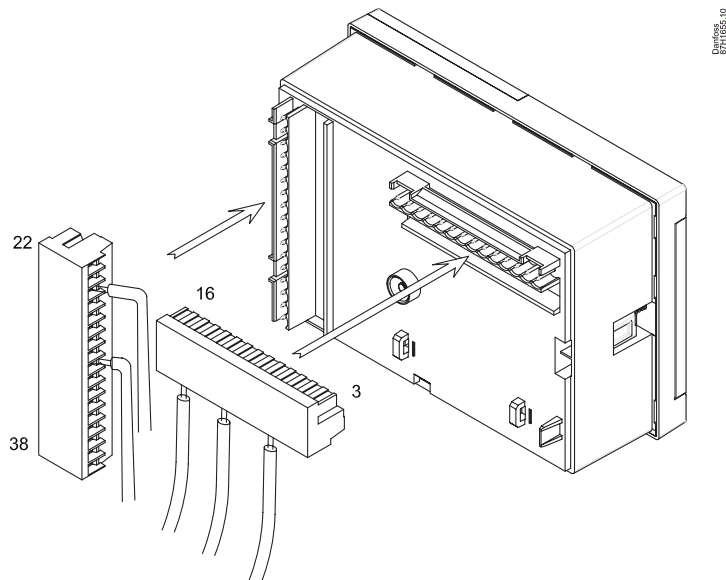
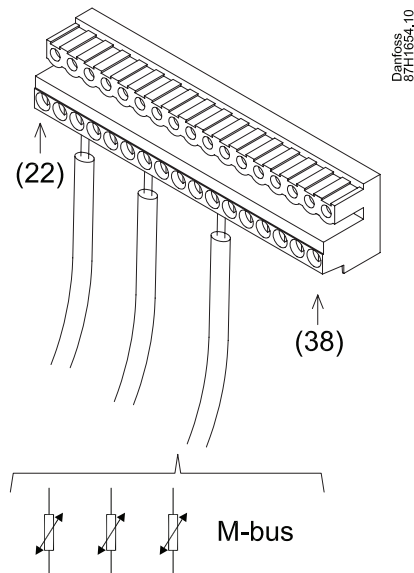
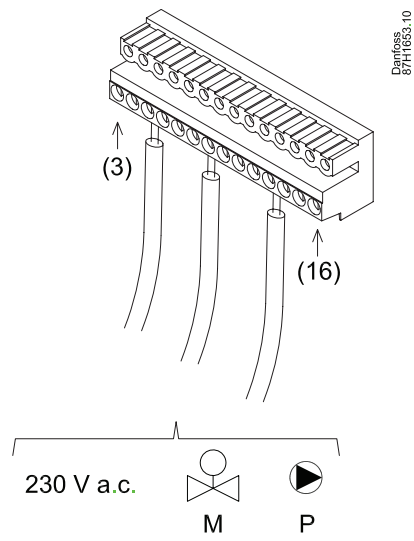


? <http://heating.danfoss.com> **Documentation** **A2xx**  
Installation  
guide

Installation Guide, ECL Comfort 296 Panel Mounting Kit

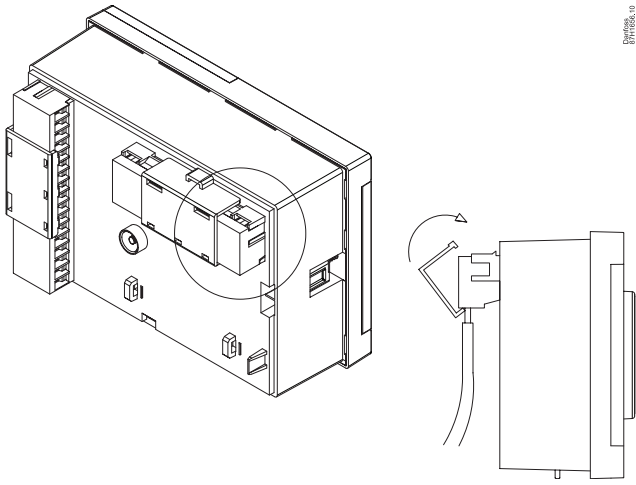


Installation Guide, ECL Comfort 296 Panel Mounting Kit

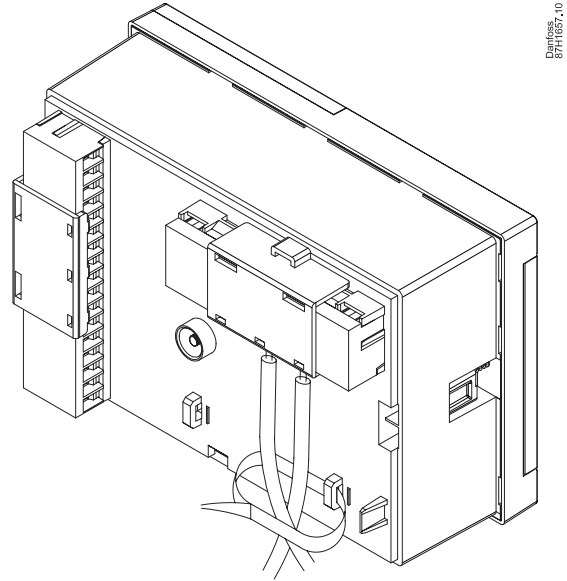


### Installation Guide, ECL Comfort 296 Panel Mounting Kit

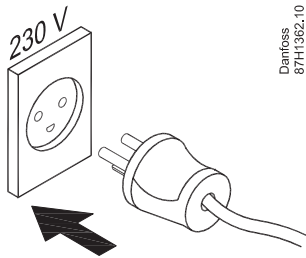
A:



B:



C:



? **ECL Comfort 296: [www.heating.danfoss.com](http://www.heating.danfoss.com)**



**Danfoss A/S**  
Heating Segment • [heating.danfoss.com](http://heating.danfoss.com) • +45 7488 2222 • E-Mail: [heating@danfoss.com](mailto:heating@danfoss.com)

Danfoss can accept no responsibility for possible errors in catalogues, brochures and other printed material. Danfoss reserves the right to alter its products without notice. This also applies to products already on order provided that such alterations can be made without subsequential changes being necessary in specifications already agreed. All trademarks in this material are property of the respective companies. Danfoss and all Danfoss logotypes are trademarks of Danfoss A/S. All rights reserved.