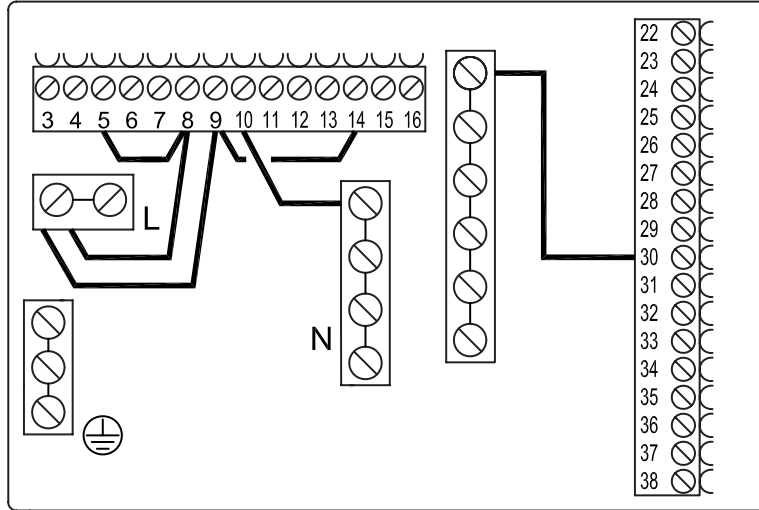


Installation Guide

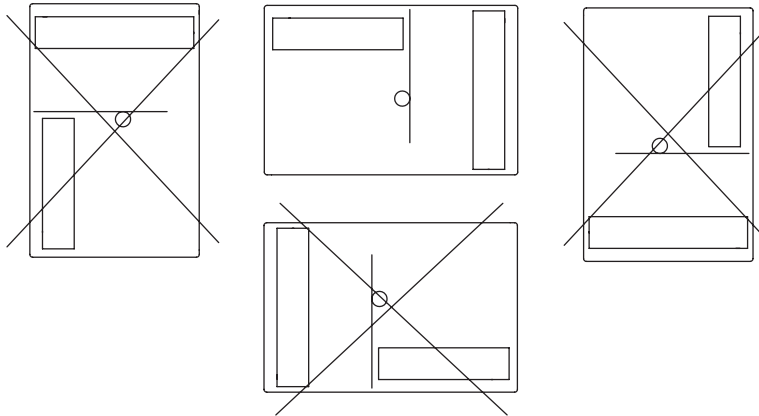
ECL Comfort 296 Base Part

(code no. 087H3240, 230 V a.c.)

230 V a.c.



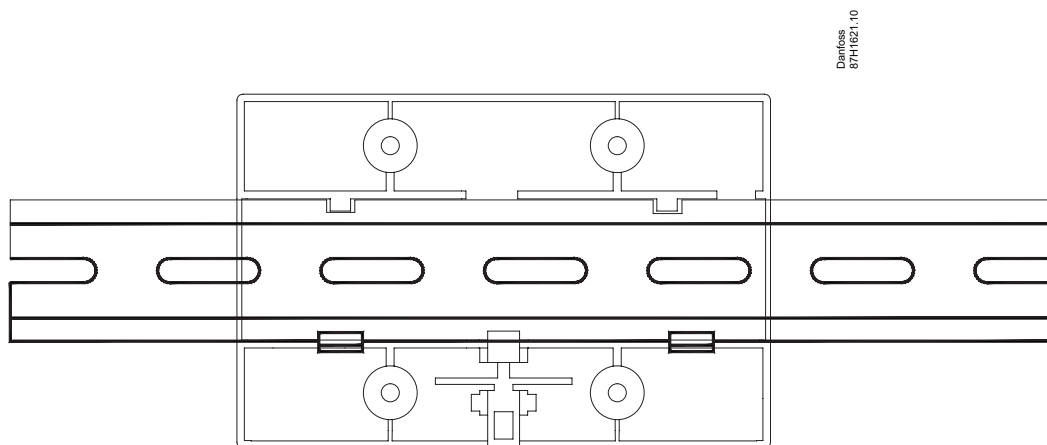
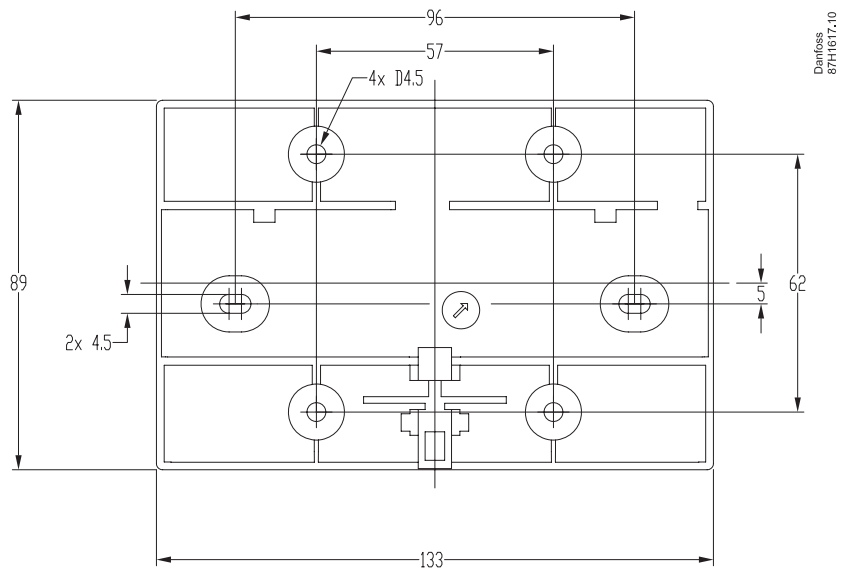
Danfoss
87H1536.10



Danfoss
87H1536.10

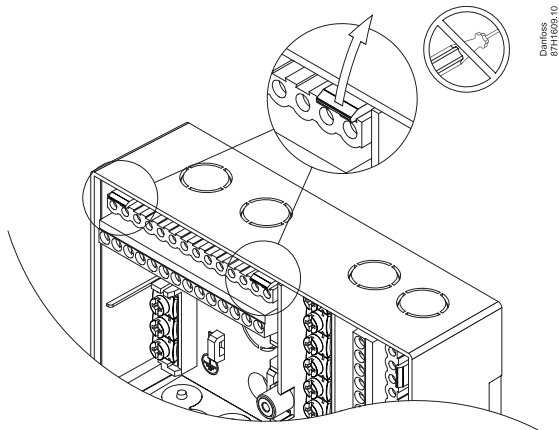
? <http://heating.danfoss.com> Documentation A2xx
Installation
guide

Installation Guide, ECL Comfort 296 Base Part

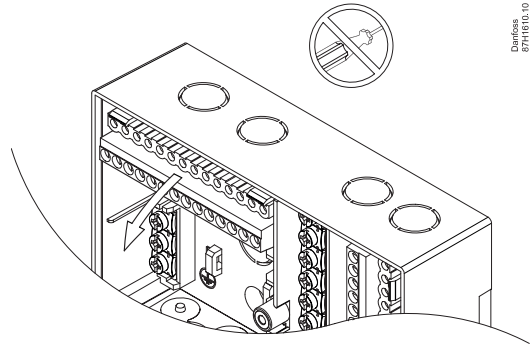


Installation Guide, ECL Comfort 296 Base Part

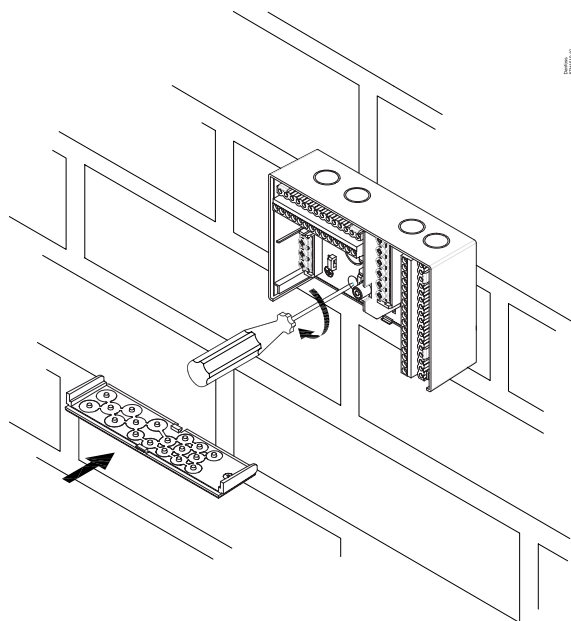
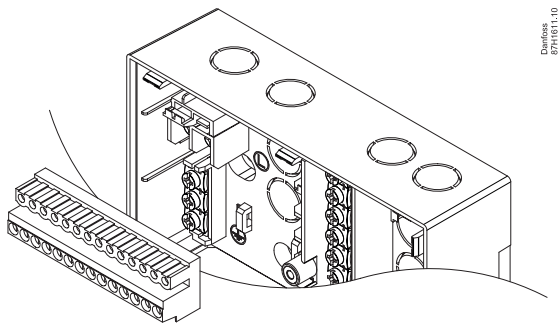
A:



B:

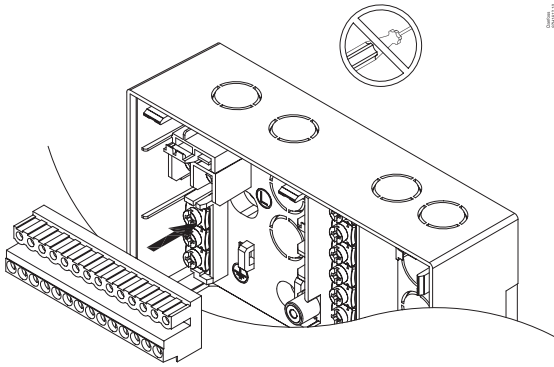


C:

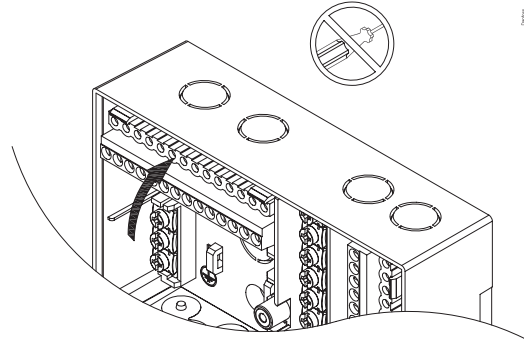


Installation Guide, ECL Comfort 296 Base Part

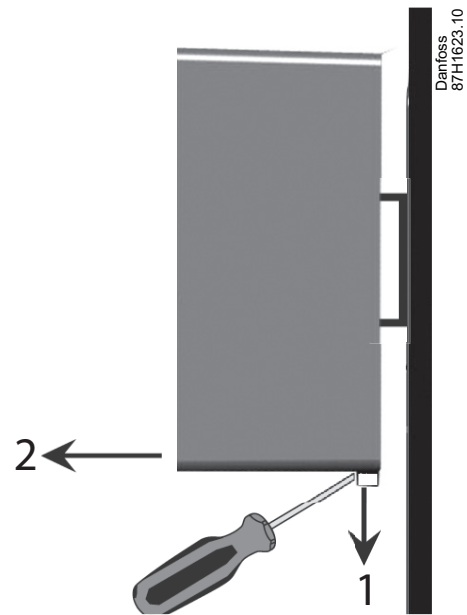
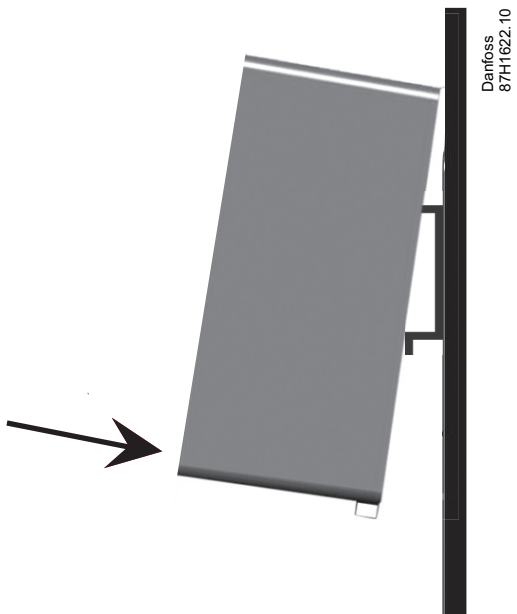
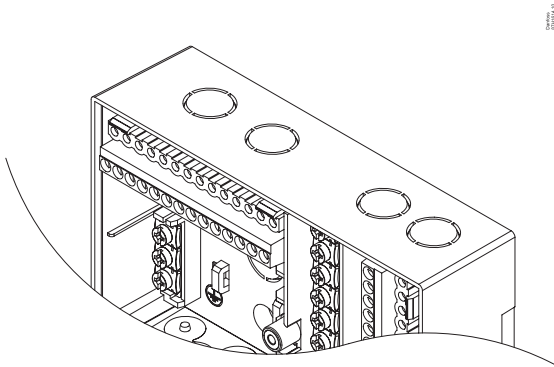
A:



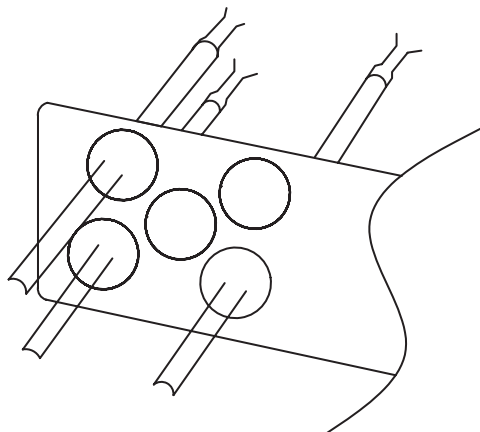
B:



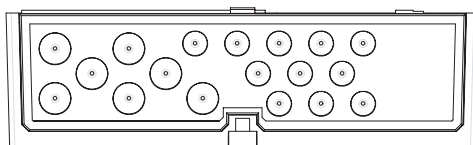
C:



Installation Guide, ECL Comfort 296 Base Part

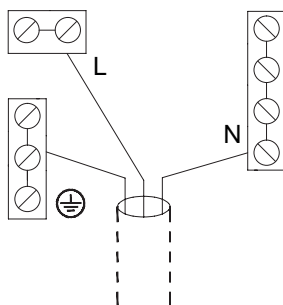


Danfoss
87H1624.10

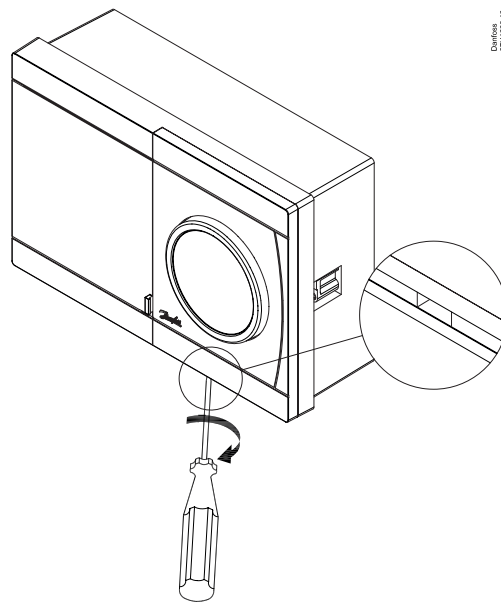
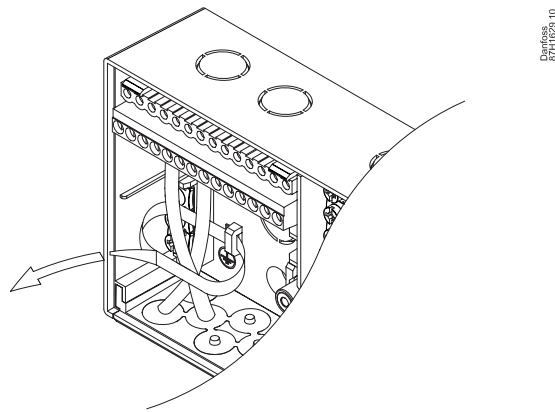


Danfoss
87H1623.10

7 x \varnothing 9 mm
11 x \varnothing 7 mm

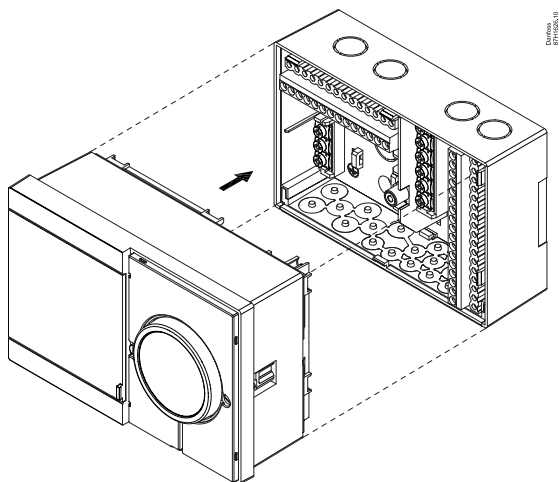


Danfoss
87H1631.10

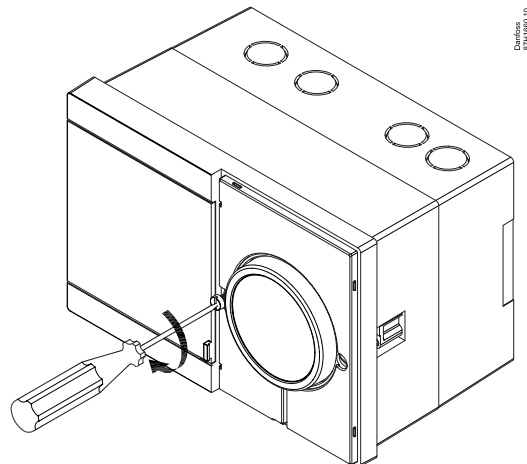


Installation Guide, ECL Comfort 296 Base Part

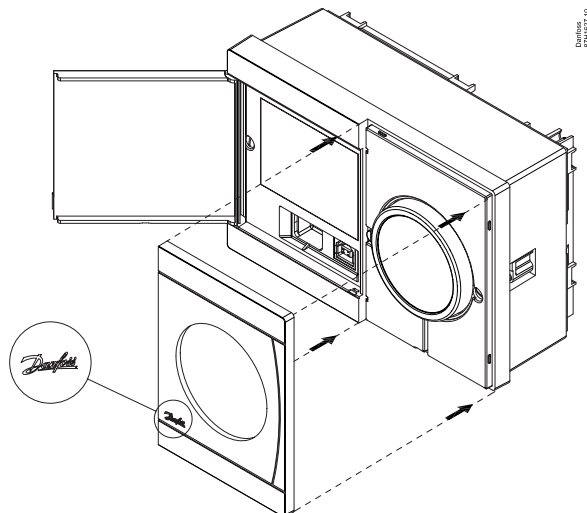
A:



B:



C:





Installation Guide, ECL Comfort 296 Base Part

?   **ECL Comfort 296: www.heating.danfoss.com**



Danfoss A/S

Heating Segment • heating.danfoss.com • +45 7488 2222 • E-Mail: heating@danfoss.com

Danfoss can accept no responsibility for possible errors in catalogues, brochures and other printed material. Danfoss reserves the right to alter its products without notice. This also applies to products already on order provided that such alterations can be made without subsequential changes being necessary in specifications already agreed. All trademarks in this material are property of the respective companies. Danfoss and all Danfoss logotypes are trademarks of Danfoss A/S. All rights reserved.